

shown in Gloss White
with 42" Barn Wood blades



shown in Brushed Nickel
with 52" Walnut blades

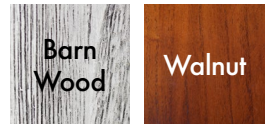


Super Janet

Designed in 2017

The Super Janet's remarkable design and solid construction in cast aluminum and heavy stamped steel make it the heroine in any commercial or residential space. Moving air with barely a whisper, its efficient DC motor turns solid wood blades in walnut or barn wood tones. An eco-conscious LED light kit with light cover completes the package. Sophisticated, efficient and green, Super Janet carries a limited lifetime warranty.

Blade Options



shown in Matte Black
with 52" Walnut blades



shown in
Textured Bronze with
60" Barn Wood blades



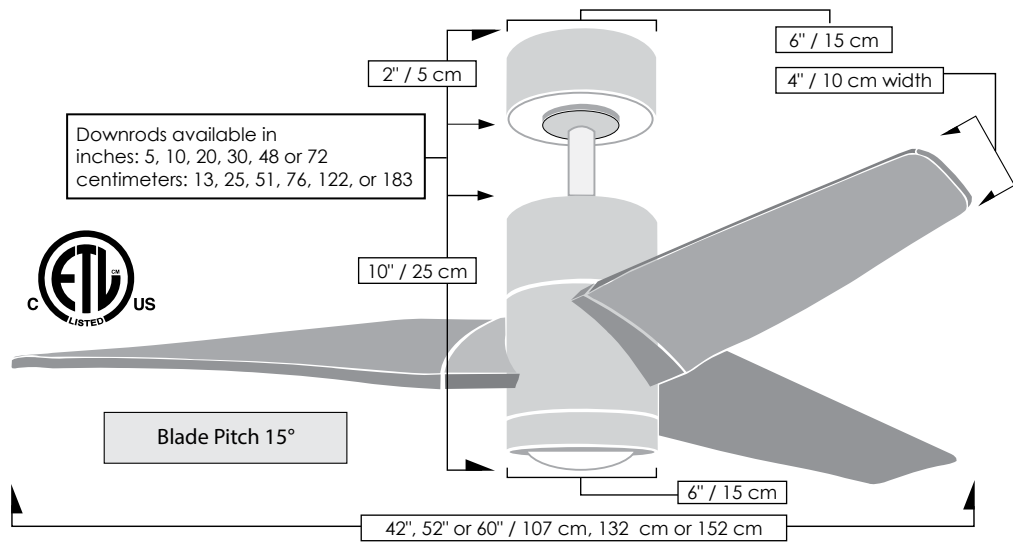
SKU NAMING CONVENTION	
SKU#	SJ-XX-XX-XX (Model+Finish+Blade+Diameter)
Standard Finishes	Brushed Nickel - BN
	Gloss White - WH
	Matte Black - BK
	Textured Bronze - TB
Blade Finishes	Barn Wood - BW
	Walnut - WN
Fan Diameter	42 inches / 107 cm - 42
	52 inches / 132 cm - 52
	60 inches / 152 cm - 60

STANDARD EQUIPMENT	
One downrod of 10 inches / 13 cm	
Vaulted ceiling canopy for up to 30°	
Light cover	
6-speed RF remote control with reverse function in black	Wireless Decora-style, 6-speed, wall control in white
	
WARNING: Only compatible with included controllers.	

CEILING HEIGHT / DOWNROD TABLE	
Ceiling Height	Downrod Lengths <i>Field cuttable. Non-threaded</i>
10 ft or less	5 inches / 13 cm
10 -12 feet	10 inches / 25 cm
13 feet	20 inches / 51 cm
14 feet	30 inches / 76 cm
15 feet	48 inches / 122 cm
16 feet +	72 inches / 183 cm

CEILING PITCH TABLE	
0/12	0 degrees
1/12	4.76 degrees
2/12	9.46 degrees
3/12	14.04 degrees
4/12	18.43 degrees
5/12	22.62 degrees
6/12	26.57 degrees
7/12	30.26 degrees
8/12	33.69 degrees
9/12	36.87 degrees
10/12	39.81 degrees
11/12	42.51 degrees

Super Janet | TECHNICAL SPECIFICATIONS



FAN SPECIFICATIONS	
Fan Diameters	inches: 42, 52 or 60 centimeters: 107, 132 or 152
Overall Drop	12 inches / 30 cm + downrod length
Fan Weight	17 lbs
Downrods Lengths <i>Field cuttable. Non-threaded</i>	inches: 5, 10, 20, 30, 48, 72 centimeters: 13, 25, 51, 76, 122, 183
Downrod Diameter	1 inch
Voltage	110 (Please contact us for 220 conversion)
Motor Type	DC
Environment	Damp locations for all finishes Neither coastal, saltwater nor chlorine compatible
Ambience	Silent
Safety Certification	ETL / CETL
Warranty	Limited Lifetime

NEW JAN 21, 2020 DOE MOTOR EFFICIENCY DATA			
	42 inch / 107 cm	52 inch / 132 cm	60 inch / 152 cm
RPM (Low / High)	50 / 242	50 / 184	50 / 150
CFM (Low / High)	915 / 4530	1571 / 5962	2293 / 6495
Watts (High)	23.62	32.99	33.32
CFM/Watt (High)	191.75	180.72	194.93
Blade Pitch	15°	15°	15°

LIGHT KIT PHOTOMETRICS						
Lamping (Replaceable)	Remote Dimmable	Delivered Temperature in K	Delivered Lumens	CRI	Watts	Hours
Integrated LED	Yes	2776	419	94	18	50,000
Light kit longevity if used 6 Hours/Day: 22.8 Years						

Matthews Fan Company
 1881 Industrial Drive
 Libertyville, IL 60048
 Tele: 847.680.9043
 Fax: 847.680.8140
 www.matthewsfanco.com
 © 2019 Matthews Fan Company. All rights reserved.

