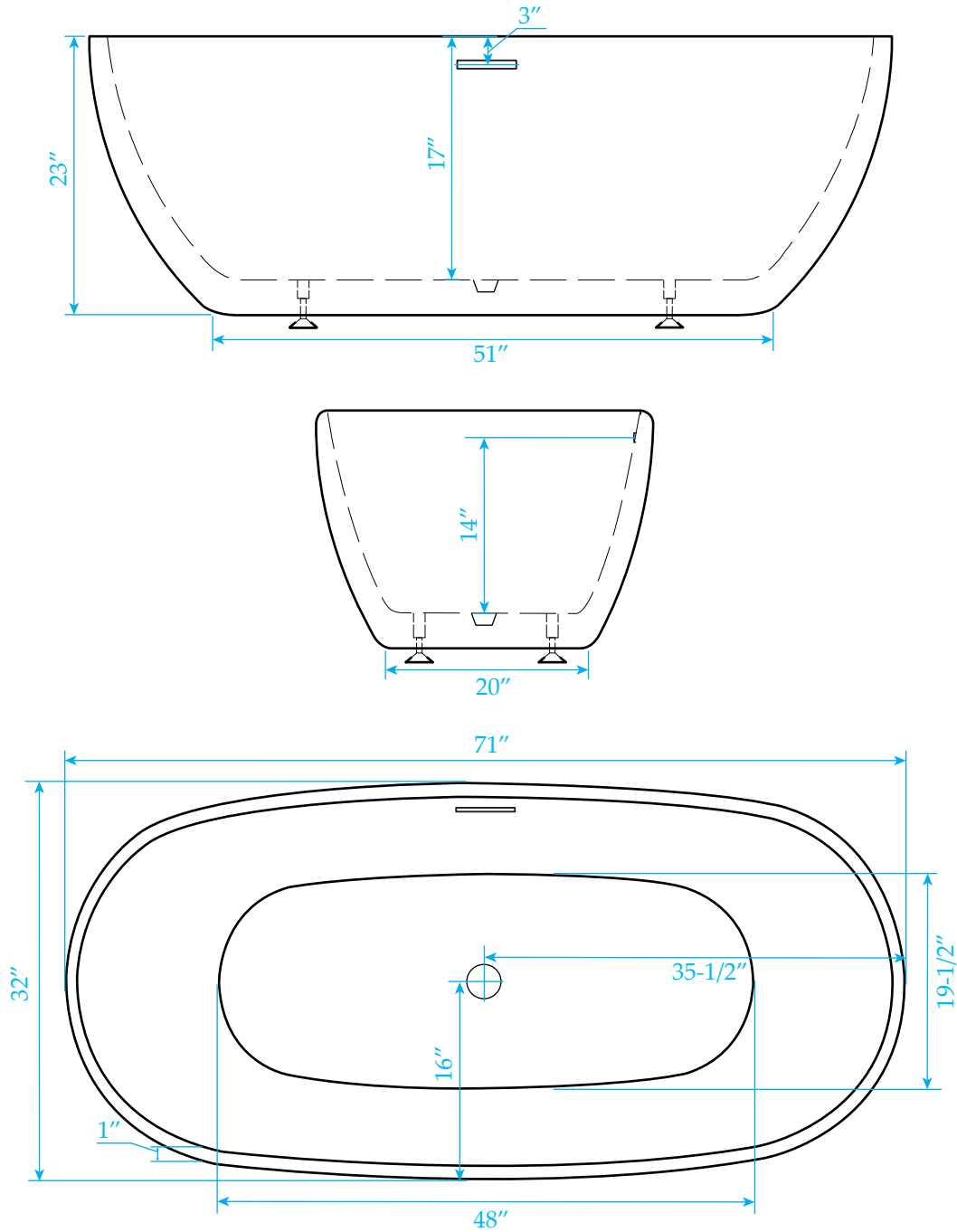


WYNDHAM COLLECTION

Exterior Size - 71"L x 32"W x 23"H
Interior Size - 69"L x 30"W x 17"H
Depth at Drain - 17"
Drain To Overflow - 14"
Maximum Fill - 95 Gallons
Note - All Measurements are $\pm 1/2$ "



WC-BTK1561-71